

(12) **United States Design Patent** (10) **Patent No.:** **US D808,162 S**
Viger et al. (45) **Date of Patent:** **** Jan. 23, 2018**

(54) **SLING BAG**

(71) Applicant: **Peak Design**, San Francisco, CA (US)

(72) Inventors: **Arthur Viger**, San Francisco, CA (US);
Peter Dering, San Francisco, CA (US);
Robb Jankura, San Francisco, CA (US);
Joseph Cunningham, San Francisco, CA (US);
Peter Lockett, San Francisco, CA (US)

(73) Assignee: **Peak Design**, San Francisco, CA (US)

(**) Term: **15 Years**

(21) Appl. No.: **29/570,861**

(22) Filed: **Jul. 12, 2016**

(51) **LOC (11) Cl.** **03-01**

(52) **U.S. Cl.**
 USPC **D3/267**

(58) **Field of Classification Search**
 USPC D3/201, 205, 206, 226, 231–247, 258,
 D3/273, 299, 301, 303, 318, 901, 903,
 D3/263, 267, 268; D12/409
 CPC A45C 13/02; A45C 13/04; A45C 13/06;
 A45C 13/08; A45C 13/26; A45C 1/024;
 A45C 7/0077; A45C 3/04; A45C 3/06
 See application file for complete search history.

D725,908 S * 4/2015 Zwetzig D3/283
 D742,634 S * 11/2015 Zwetzig D3/232
 2003/0234269 A1* 12/2003 Shamas A43B 5/0425
 224/576

FOREIGN PATENT DOCUMENTS

CN 201330251246 * 6/2013

OTHER PUBLICATIONS

Amazon, Chrome Unisex Niko Sling, available Apr. 27, 2013, [online], [site visited on Aug. 1, 2017]. Available from Internet, URL: <https://www.amazon.com/Chrome-Unisex-Sling-Black-Lumbar/dp/B00AZHCBM8>.*

(Continued)

Primary Examiner — Sheryl Lane
Assistant Examiner — Samantha N Wood
 (74) *Attorney, Agent, or Firm* — Grumbles Law PLLC;
 Brittany Nanzig

(57) **CLAIM**

The ornamental design for a sling bag, as shown and described.

DESCRIPTION

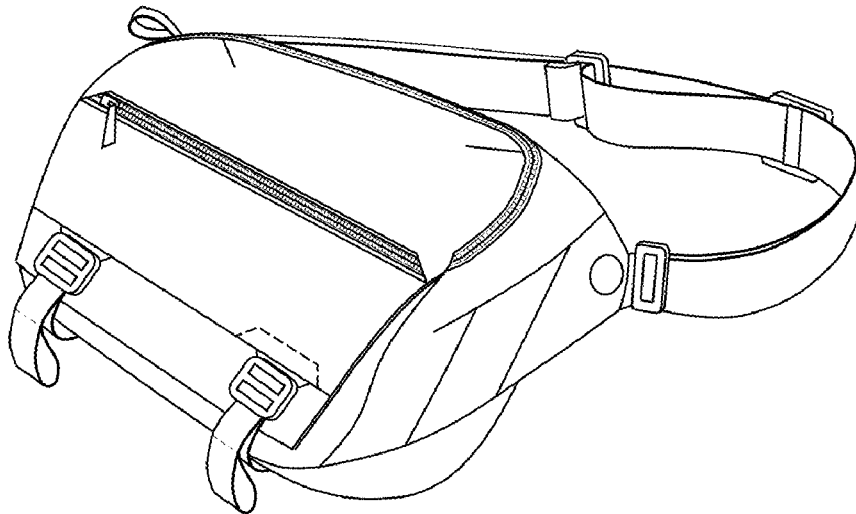
FIG. 1 is a perspective top view of a sling bag showing our new design. FIG. 2 is a back elevational view of the sling bag. FIG. 3 is a perspective left side view of the sling bag. FIG. 4 is a perspective right side view of the sling bag. FIG. 5 is a perspective bottom view of the sling bag; and, FIG. 6 is a perspective back view of the sling bag. The lighter broken lines depict stitching and form part of the claimed design. The bolder broken lines in the drawings depict parts of the tote bag that form no part of the claimed design.

1 Claim, 2 Drawing Sheets

(56) **References Cited**

U.S. PATENT DOCUMENTS

D291,149 S * 8/1987 Smith D3/287
 D340,574 S * 10/1993 Weinreb D3/268
 D459,876 S * 7/2002 Smith D3/226
 D530,089 S * 10/2006 Silverman D3/287
 D624,312 S * 9/2010 Chu D3/243
 D651,794 S * 1/2012 Hargens D3/232
 D703,431 S * 4/2014 Taylor D3/243
 D722,228 S * 2/2015 Zwetzig D3/232



(56)

References Cited

OTHER PUBLICATIONS

Notcot, Incase DSLR Sling Pack Camera Bags, posted on Apr. 9, 2012, [online], [site visited on Aug. 1, 2017]. Available from Internet, URL: <http://www.notcot.com/archives/2012/04/incase-dslr-sling-pack-camera.php>.*

Amazon, ZLYC Vintage style DSLR Camera Shoulder Bag, available on Jun. 25, 2014, [online], [site visited on Aug. 1, 2017]. Available from Internet, URL: <https://www.amazon.com/dp/B00OIHTHWS?psc=1>.*

Amazon, Thule TPCS101 Perspektiv Compact Sling Bag, available on Oct. 21, 2014, [online], [site visited on Aug. 1, 2017]. Available from Internet, URL: https://www.amazon.co.uk/d/5fn/Thule-TPCS101-Perspektiv-Compact-Sling-Bag-Camera/B00KIDK9KU/ref=sr_1_1?ie=UTF8&qid=1501616166&sr=8-1&keywords=Thule+Perspektiv+Compact+Sling.*

* cited by examiner

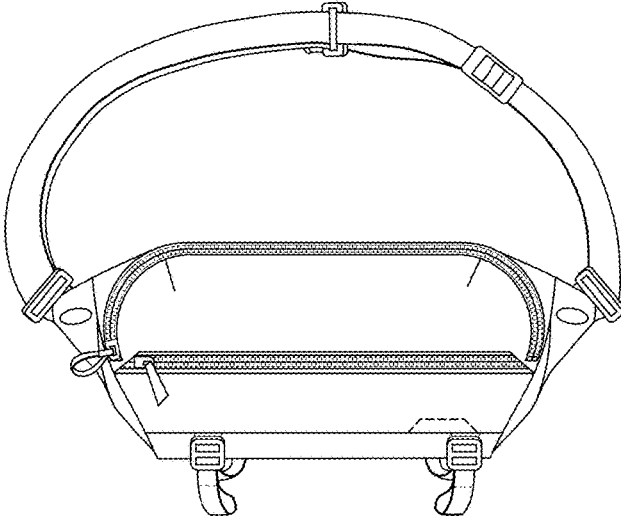


FIG. 1

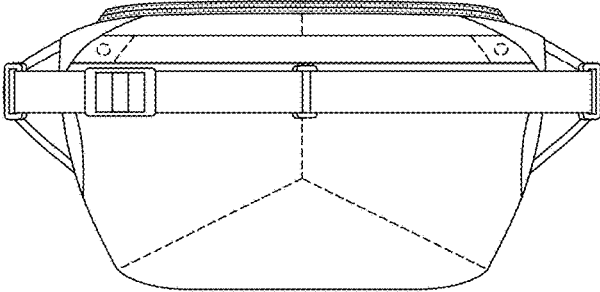


FIG. 2

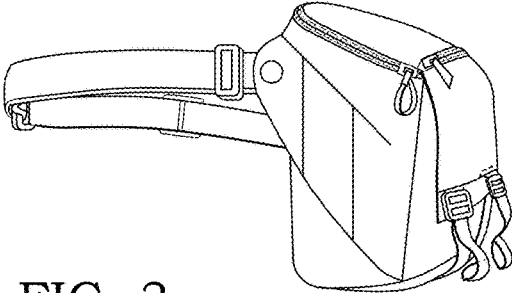


FIG. 3

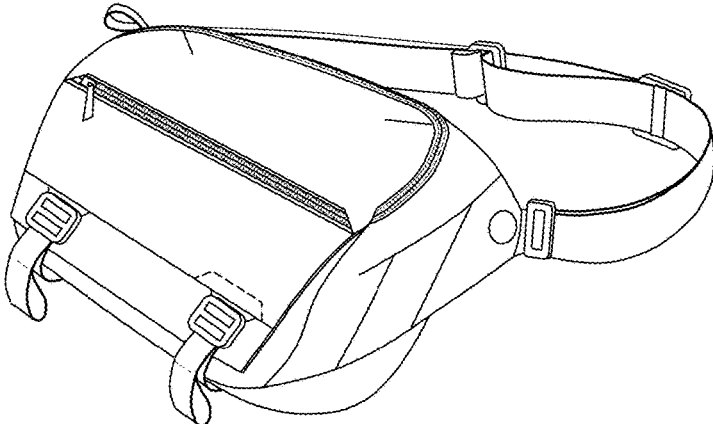


FIG. 4

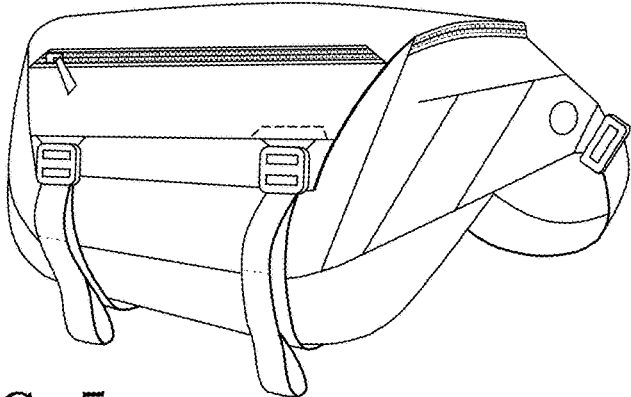


FIG. 5

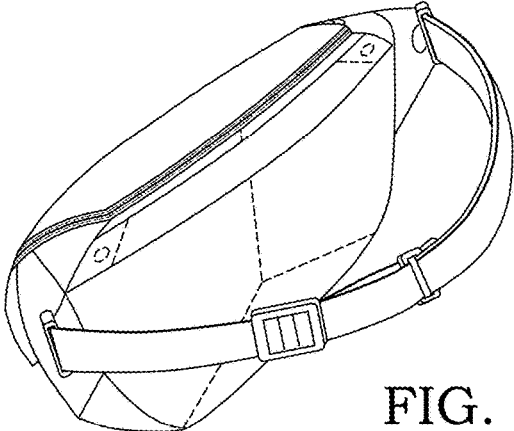


FIG. 6